



Military Vehicle Maintenance Equipment

Military Wheel Solution F 20 Defence



**Advanced Reliability
and Precision**

F 20 Defence

This solution has been developed to meet the highest demands in the **maintenance of military and defence vehicles equipped with Hutchinson's RFT run flat system.**

Designed in keeping with HPA-Faip tradition, it combines operational precision, solid construction and maximum reliability. It conveniently and safely handles all work steps on reinforced carcass tyres with **Toroidal insert**. The **mobile hydraulic control unit** delivers a **thrust force of up to 45,000 N**, enabling fast, controlled and totally safe operations.

general features

Structure

Made of high-strength steel, it is designed to guarantee **rigidity and stability at every stage of the operation.** The sturdy construction ensures **reliability over time**, even under heavy and continuous use.

Control unit

Developed to offer **progressive, controlled and consistent movements**, it allows the operator to handle each stage with **precision and safety.** Smooth control and immediate response ensure operational continuity even in the most demanding applications.

Technical solutions

They allow the **run flat system** to be extracted in a **continuous and controlled manner**, reducing stress and **limiting the risk of damage** to both the tyre and internal components.



Applications

- Heavy-duty military transport vehicles
- Armoured and tactical vehicles
- Military light-duty vehicles.

Balance

The combination of **operational precision, movement control and ease of use** makes the F 20 Defence an efficient and reliable solution, perfectly consistent with the **quality standards and HPA-Faip engineering expertise.**

Critical components

The main components are manufactured from **selected materials and subjected to dedicated protective treatments**, with the aim of ensuring **high service life, reliability over time and minimal maintenance requirements**, even in heavy-duty applications.

Press for side ring removal

The rim clamping system on the tyre changer turntable **ensures a stable and precise fit.**

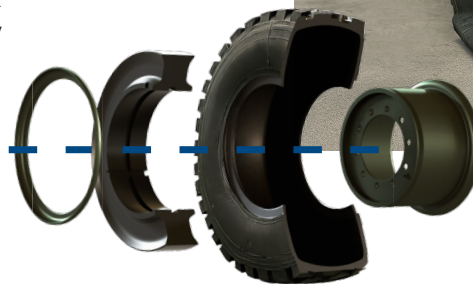
The hydraulic press, powered by an independent control unit, **ensures high safety standards and maximum operating precision**, reducing work time and operator effort.



Military Vehicle Maintenance Equipment Military Wheel Solution - F 20 Defence

MAIN TECHNICAL FEATURES

- **Standalone, transportable station** for maximum operational flexibility.
- Power supply of 400V/3/50-60 Hz (230V/3/50-60 Hz version available on request).
- Designed for extraction of toroidal ring Run Flat systems, **compatible with** Hutchinson VFI and bead-lock systems **with rigid ring**.
- **High level of** operational safety.
- Simple and intuitive operation, **with progressive manual controls** for precise control of each step.
- Solution ideal for independent workshops and **military maintenance** service centres.



operational phases

- **Clamping** of the rim on the tyre changer and subsequent mounting/demounting of the tyre with integrated **Run Flat** system, using the pressing equipment supplied for side ring removal.



1



2

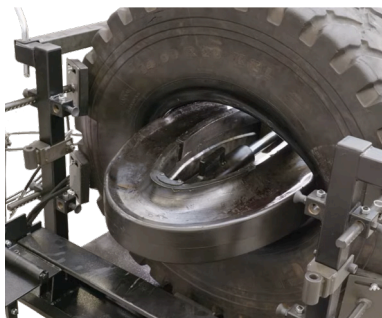


3



4

- **Extraction and insertion** of the Run Flat toroidal ring system from/into the tyre using the standalone extraction station.



For more information, scan the QR code to watch the video available on the website.

Military Vehicle Maintenance Equipment

Military Wheel Solution - F 20 Defence

OPTIONAL KITS ON REQUEST

8-12120050/90
TOROID HANDLING ROLLER CONVEYOR

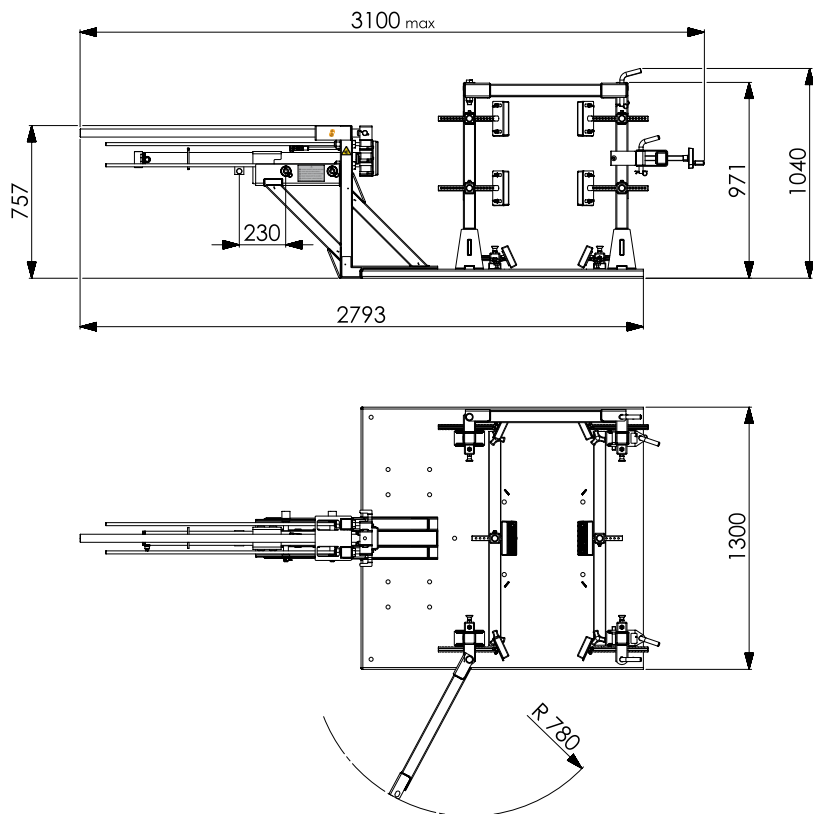


8-12120051/90
16" TYRE MAINTENANCE KIT



For other accessories, please refer to the relevant catalogue.

Dimensions



SPECIFICATIONS

MAXIMUM WHEEL DIAMETER	1600 mm
MAXIMUM WHEEL WIDTH	650 mm
MOST FREQUENTLY USED TYRE TYPES (BY WAY OF EXAMPLE)	12.00R20 14.00R20 325/85R16 335/80R20 365/80R20 395/85R20
MAXIMUM WHEEL WEIGHT	600 kg
CLAMPING CAPACITY	14"-26"
RUN FLAT SYSTEM TYPE	HUTCHINSON VFI
OVERALL DIMENSIONS	3000X1300X1050
POWER SUPPLY	400/3/50-60 230/3/50-60 (ON REQUEST)
DRIVES	HYDRAULIC - PROGRESSIVE MANUAL
EQUIPMENT WEIGHT	500 kg



www.hpa-faip.it

HPA-Faip is a brand of the NEXION SpA Group
Via Strada Statale 468, n°9 - 42015 Correggio (RE)
Operational Headquarters: Via Dinazzano, 4 - 42015 Prato di Correggio (RE)
+39 0522 736087 | info@hpa-faip.it
TOLL-FREE SERVICE NUMBER - ITALY: + 39 800 362971



The manufacturer reserves the right to modify the features of its products at any time.

Code DFSF000782_04_2026